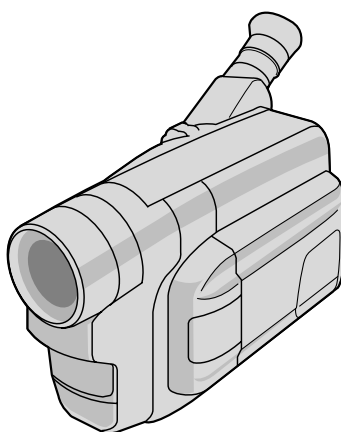


# JVC

## SERVICE MANUAL

### COMPACT VHS CAMCORDER

# GR-AXM237UM



**Compact VHS**



Regarding service information other than these sections, refer to the GR-AXM220U service manual (No. 86526). Also, be sure to note important safety precautions provided in the service manual.

## SPECIFICATIONS

Camcorder	
<b>General</b>	
Format	: VHS NTSC standard
Power source	: DC 6.0 V $\text{---}$
Power consumption	
LCD monitor off, viewfinder on	: 4.2 W
LCD monitor on, viewfinder off	: 4.6 W
LCD monitor on, viewfinder on	: 5.2 W
Signal system	: NTSC-type
Video recording system	
Luminance	: FM recording
Color	: Converted sub-carrier direct recording
Color	: Conforms to VHS standard
Cassette	: <b>VHS</b> cassette
Tape speed	
SP	: 33.35 mm/sec. (1-5/16 ips)
EP	: 11.12 mm/sec. (7/16 ips)
Recording time (max.)	
SP	: 40 minutes
EP	: 120 minutes (with TC-40)
Operating temperature	: 0°C to 40°C (32°F to 104°F)
Operating humidity	: 35% to 80%
Storage temperature	: -20°C to 50°C (-4°F to 122°F)
Weight	: Approx. 890 g (2.0 lbs)

Dimensions (W x H x D)	: 198 mm x 119 mm x 99 mm (7-13/16" x 4-11/16" x 3-15/16") (with the LCD monitor closed and with the viewfinder fully tilted downward)
Pickup Lens	: 1/4" format CCD
Lens	: F1.6, f = 3.9 to 62.4 mm, 16:1 power zoom lens with auto iris and macro control, filter diameter 40.5 mm
Viewfinder	: Electronic viewfinder with 0.5" black/white CRT
White balance adjustment	: Auto/Manual adjustment
LCD monitor	: 2.5" diagonally measured, LCD panel/TFT active matrix system
Speaker	: Monaural
JLIP	: $\phi$ 3.5 mm, 4-pole, mini-head jack (compatible with RC-5325 plug)
Video	: 1 V (p-p), 75 $\Omega$ unbalanced, analog output (via Video output connector)
Audio	: 300 mV (rms), 1 k $\Omega$ analog output (via Audio output connector)

### AC Power Adapter/Charger AA-V16U

Power requirement	: AC 110 V to 240 V $\sim$ , 50 Hz/60 Hz
-------------------	--

Power consumption	: 23 W
Output	
Charge	: DC 8.5 V $\text{---}$ , 1.3 A
VTR	: DC 6.3 V $\text{---}$ , 1.8 A
Charging system	: Constant current, peak detection, timer controlled
Dimensions (W x H x D)	: 125 mm x 42 mm x 68 mm (4-15/16" x 1-11/16" x 2-11/16")
Weight	: Approx. 270 g (0.6 lbs)

### Cassette Adapter C-P7U

Dimensions (W x H x D)	: 188 mm x 25 mm x 104 mm (7-7/16" x 1" x 4-1/8")
Weight	: Approx. 240 g (0.53 lbs)
Accessory	: "AA (R6)"-size battery x 1

### Optional Accessories

- Battery Packs BN-V12U, BN-V20U, BN-V856U
- Car Battery Charger BH-V3U
- Battery Charger BH-VC10U
- Audio/Video Cable
- Car Battery Cord AP-V7U
- Compact VHS (**VHS**) Cassettes TC-40/30/20
- Active Carrying Bag CB-V7U

Some accessories are not available in some areas. Please consult your nearest JVC dealer for details on accessories and their availability.

Specifications shown are for SP mode unless otherwise indicated. E & O.E. Design and specifications subject to change without notice.

# TABLE OF CONTENTS

DIFFERENT TABLE .....	1 to 2
<b>4. CHARTS AND DIAGRAMS</b>	
4.1 BOARD INTERCONNECTIONS .....	4-1
4.2 CPU SCHEMATIC DIAGRAM .....	4-3
4.3 VTR DSP SCHEMATIC DIAGRAM .....	4-5
4.4 REGULATOR SCHEMATIC DIAGRAM .....	4-7
4.5 MAIN CIRCUIT BOARD .....	4-9
<b>5. PARTS LIST</b>	
5.1 FINAL ASSEMBLY <M2> .....	5-1

The following table indicate main different points between models GR-AXM220U and GR-AXM237UM.

ITEM	MODEL	GR-AXM220U	GR-AXM237UM
DC LIGHT		Not used	used
BODY COLOR		Black	Pearl gray
ZOOM		300X	450X

The following table indicate different parts number between models GR-AXM220U and GR-AXM237UM.

## PACKING ASSEMBLY<M1>

REF NO.	ITEM	MODEL	GR-AXM220U	GR-AXM237UM
2	PACKING CASE		LY31561-007A	LY31561-028A
△ 5	IB (EN)		LYT0478-001A	LYT0505-001A
△	IB (SP)		–	LYT0505-002A
△	IB (PT)		–	LYT0505-003A
7	REGIST. CARD		BT-51020-2	–

## FINAL ASSEMBLY <M2>

REF NO.	ITEM	MODEL	GR-AXM220U	GR-AXM237UM
△ 101	LOWER CASE ASSY		LY10122-033A	LY10122-047A
106	FRONT COVER ASSY		LY10124-041A	LY10124-050B
106R	COVER (LIGHT)		LY30934-001A	–
107	CASS. COVER (M) ASSY		LY10131-019A	LY10131-023A
108	UPPER CASE (M)		LY10133-001C	LY10133-002C
110	TOP COVER		LY10129-074A	LY10129-093A
113	OPERATION UNIT		LY10120-035A	LY10120-032B
116	DC LIGHT ASSY		–	LY30860-001B
116A	LAMP		–	YQ44266
△ 137	FRAME ASSY		LY20372-002B	LY20372-004A
137F	CONTACT (LIGHT), X2		–	YQ43810
137G	E-SI C WIRE C-F		–	WJM0118-001A
146	KNOB (LIGHT)		–	LY41083-001B

Note: Mark – is not used.

**MONITOR ASSEMBLY <M5>**

REF NO.	ITEM	MODEL	GR-AXM220U	GR-AXM237UM
△ 500	MONITOR ASSY		LYH20126-004A	LYH20126-011A
△ 502	COVER (MONI) ASSY		LY20482-004A	LY20482-011B
502A	WINDOW		LY31295-004A	LY31295-009B
503	COVER (U. HINGE)		LY20333-006A	LY20333-004A

**MAIN BOARD ASSEMBLY <01>**

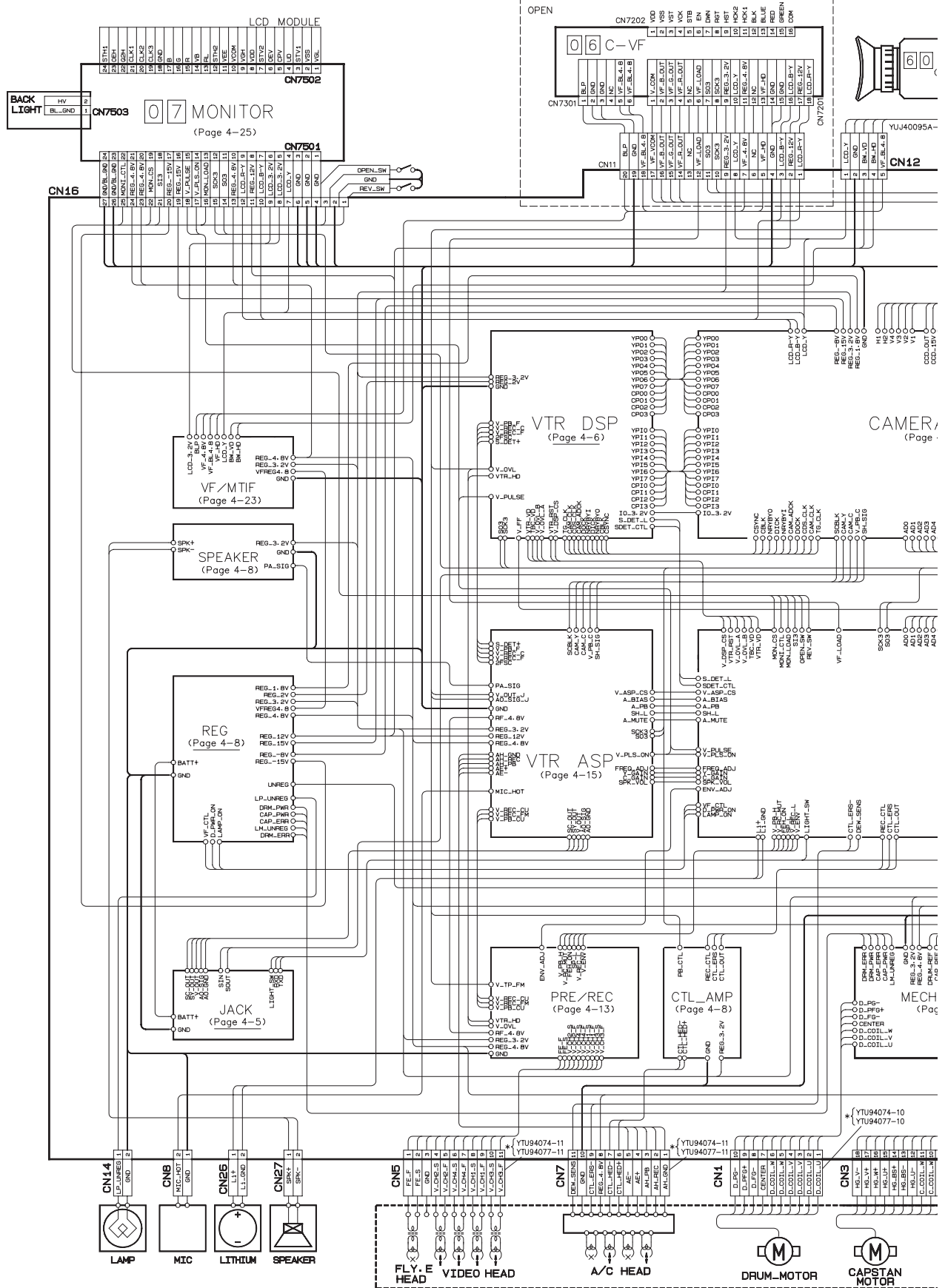
REF NO.	ITEM	MODEL	GR-AXM220U	GR-AXM237UM
PW	MAIN BOARD ASSY		YB10271UL-02	YB10271UM-04
IC3004	IC		–	TC74VHC74FT
Q3005	TRANSISTOR		–	DTA144EE
Q6201	TRANSISTOR		–	2SA1774/QR/-X
Q6202	TRANSISTOR		–	2SD1628/FG/-X
Q6203	TRANSISTOR		–	2SC4617/QR/-X
D3002	DIODE		–	DAN222
R3033	MG RESISTOR		–	NRSA63J-103X
R3035	MG RESISTOR		–	NRSA63J-103X
R6201	MG RESISTOR		–	NRSA63J-103X
R6202	MG RESISTOR		–	NRSA63J-100X
R6203	MG RESISTOR		–	NRSA63J-103X
R6205	MG RESISTOR		–	NRSA63J-184X
R6206	MG RESISTOR		–	NRSA63J-102X
C1631	CAPACITOR		–	NCB31CK-683X
C4004	TA E CAPACITOR		–	NBE20GM-336X
C6201	E CAPACITOR		–	NEA71CM-106X
SW503	SLIDE SWITCH		–	NSW0092-001X
CN14	CONNECTOR		–	QGA1201C2-02X

Note: Mark – is not used.

# SECTION 4 CHARTS AND DIAGRAMS

## 4.1 BOARD INTERCONNECTIONS

5  
4  
3  
2  
1



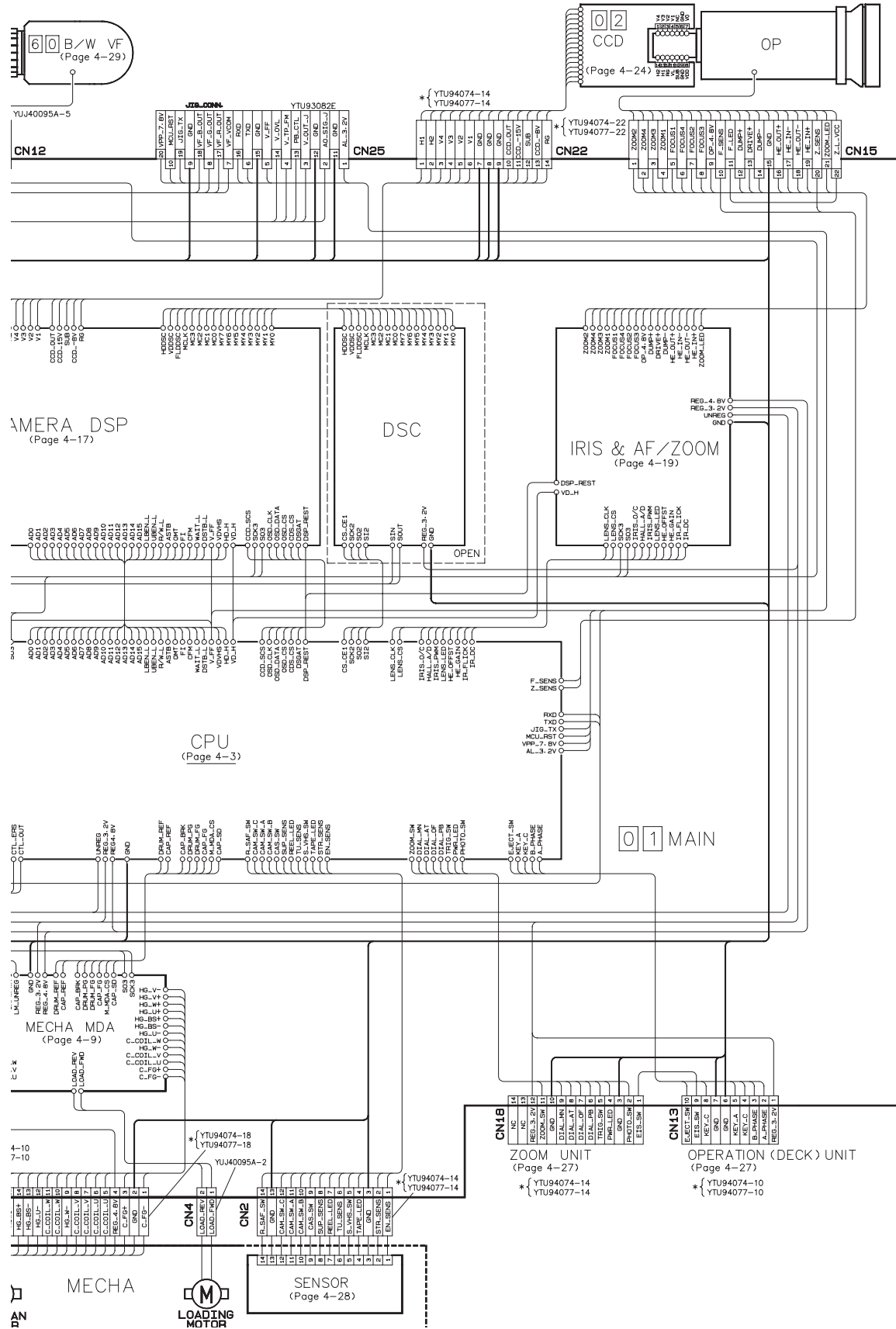
A

B

C

D

**Note: How to find the page showing the continuative schematic diagram**  
**Example) TO REG (Page 4-22): Refer to the GR-AXM220U service manual (No. 86526)**  
**TO REG (Page 4-9): Refer to this service manual**



E | F | G | H

# 4.2 CPU SCHEMATIC DIAGRAM

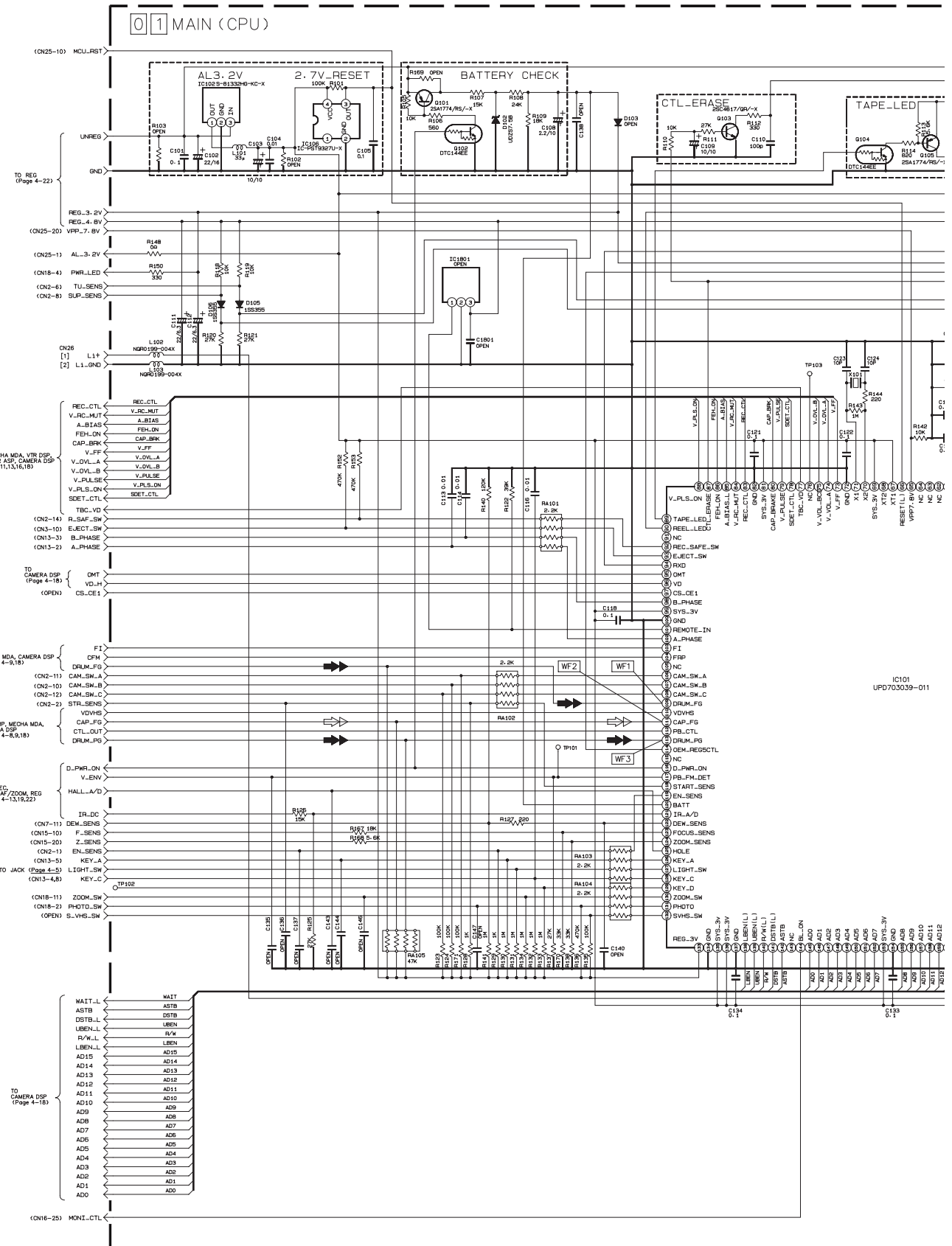
5

4

3

2

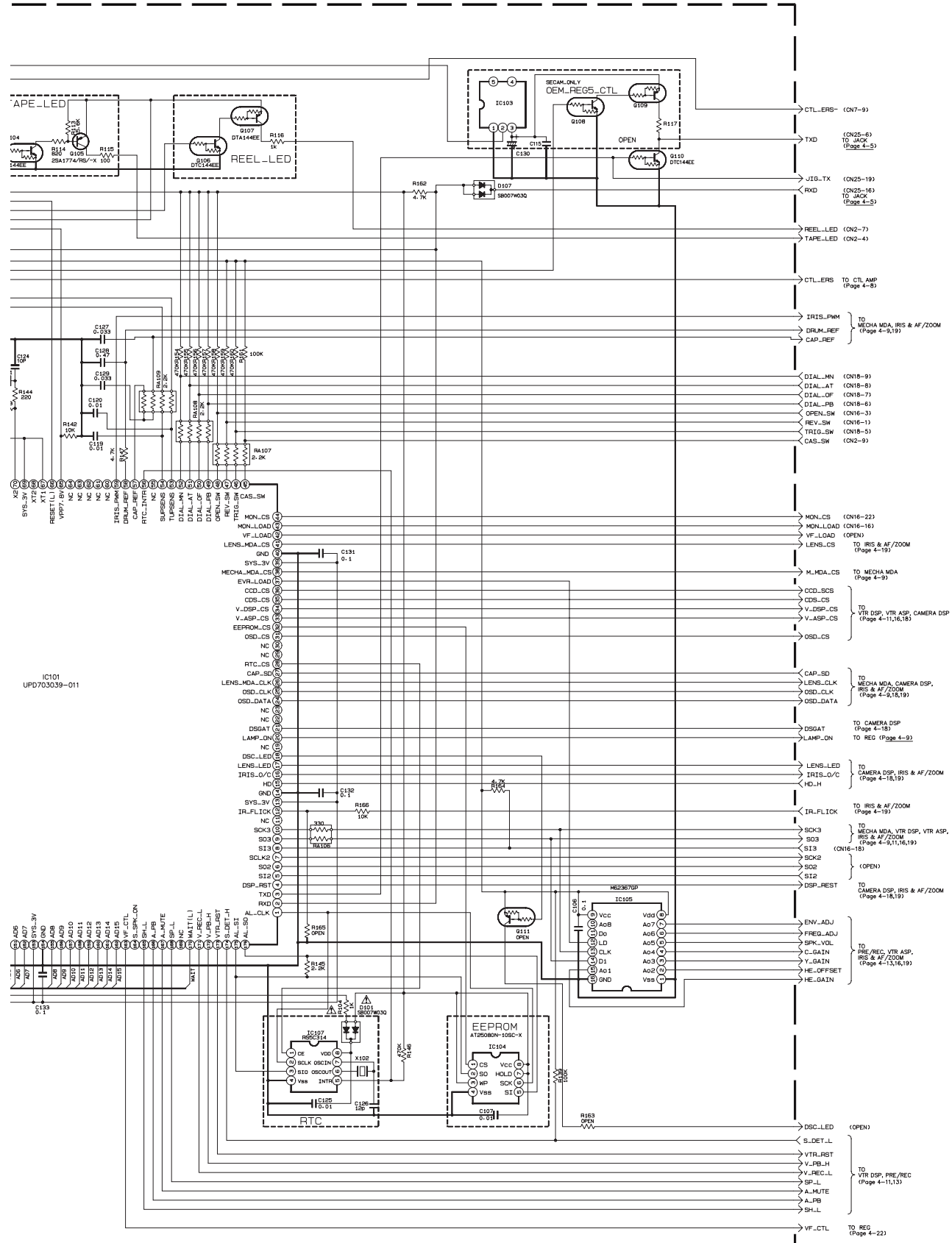
1



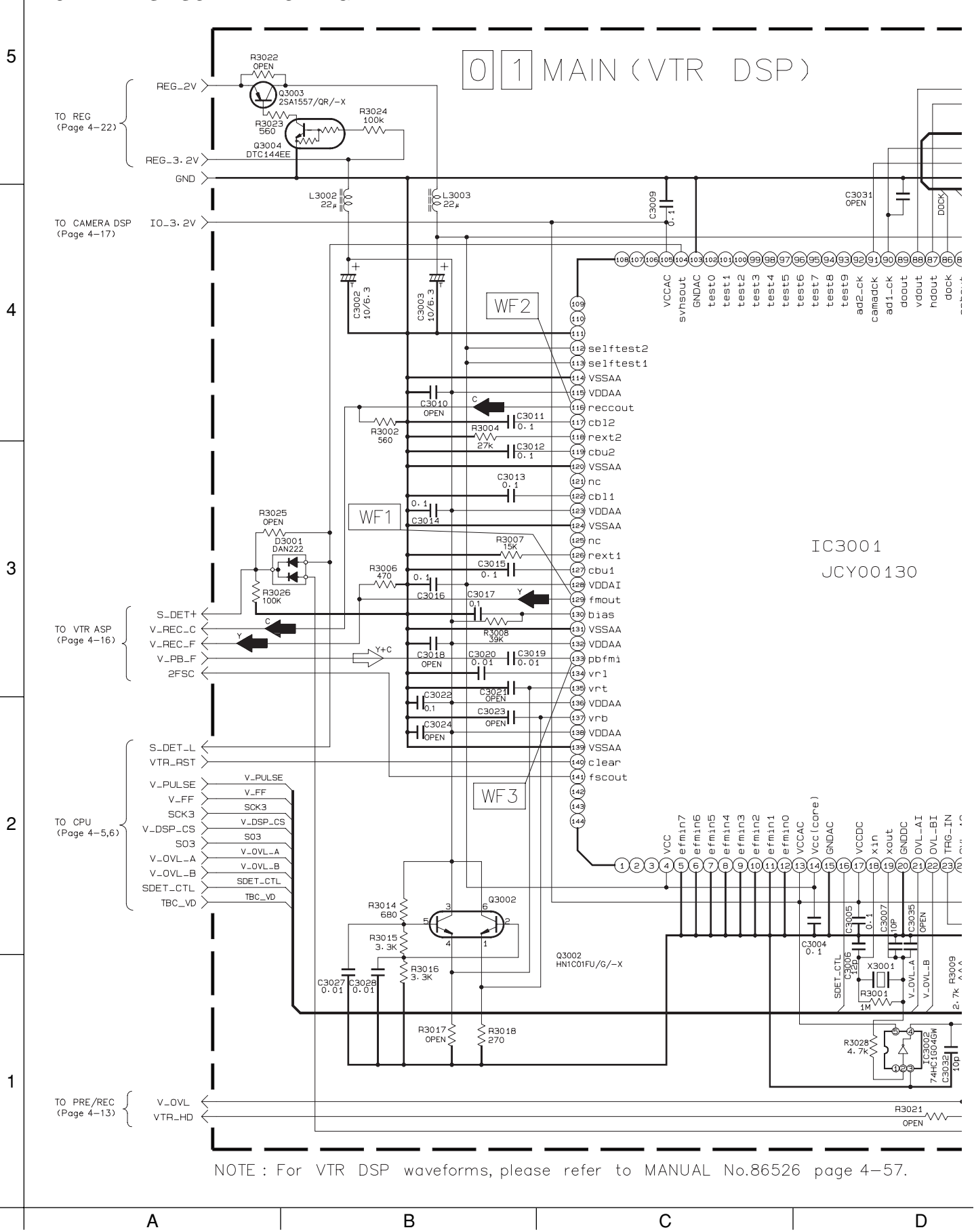
NOTE: For CPU waveforms, please refer to MANUAL No.86526 page 4-57.

A B C D

**Note: How to find the page showing the continuative schematic diagram**  
**Example) TO REG (Page 4-22): Refer to the GR-AXM220U service manual (No. 86526)**  
**TO REG (Page 4-9): Refer to this service manual**



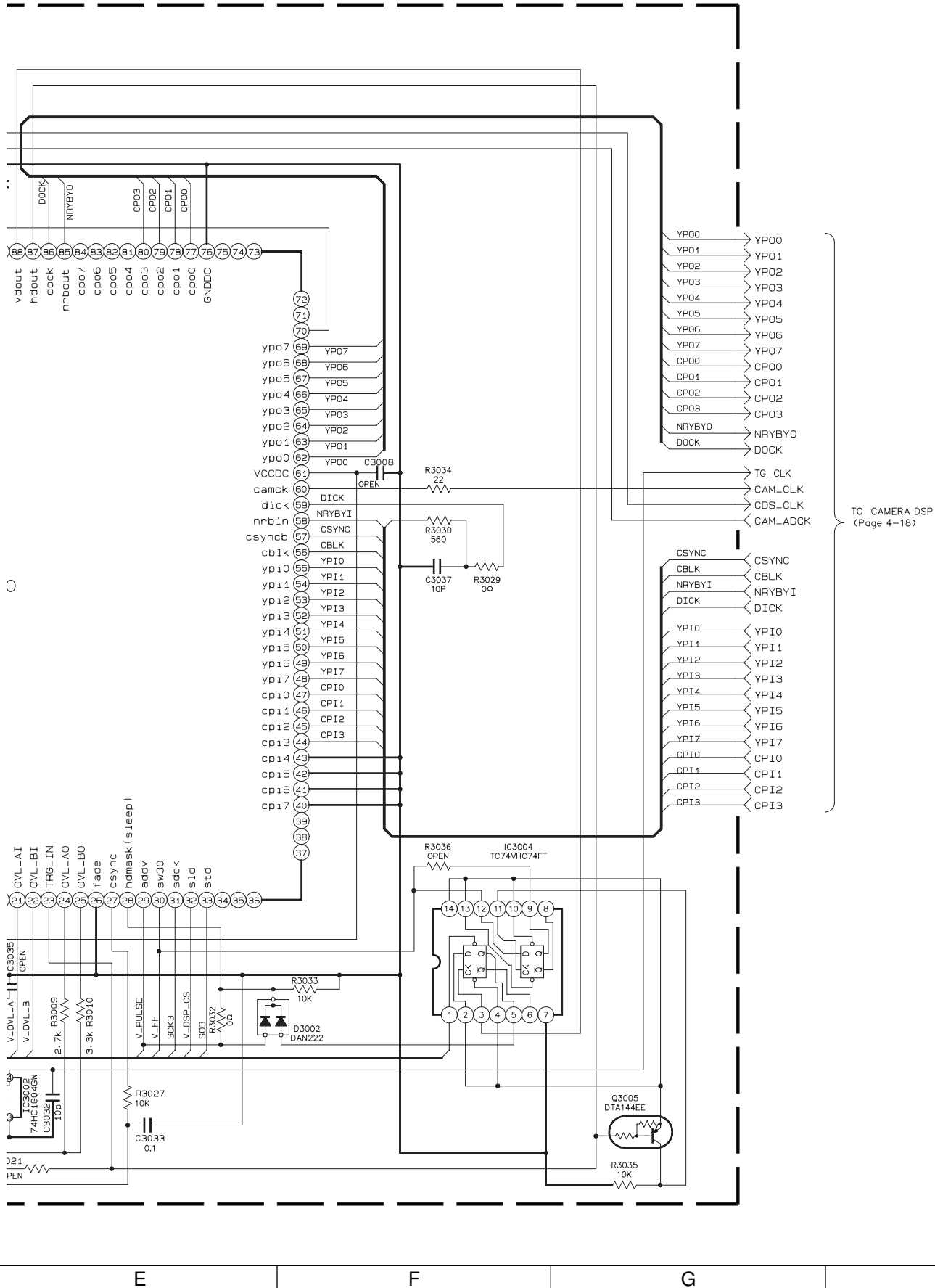
### 4.3 VTR DSP SCHEMATIC DIAGRAM



NOTE : For VTR DSP waveforms, please refer to MANUAL No.86526 page 4-57.

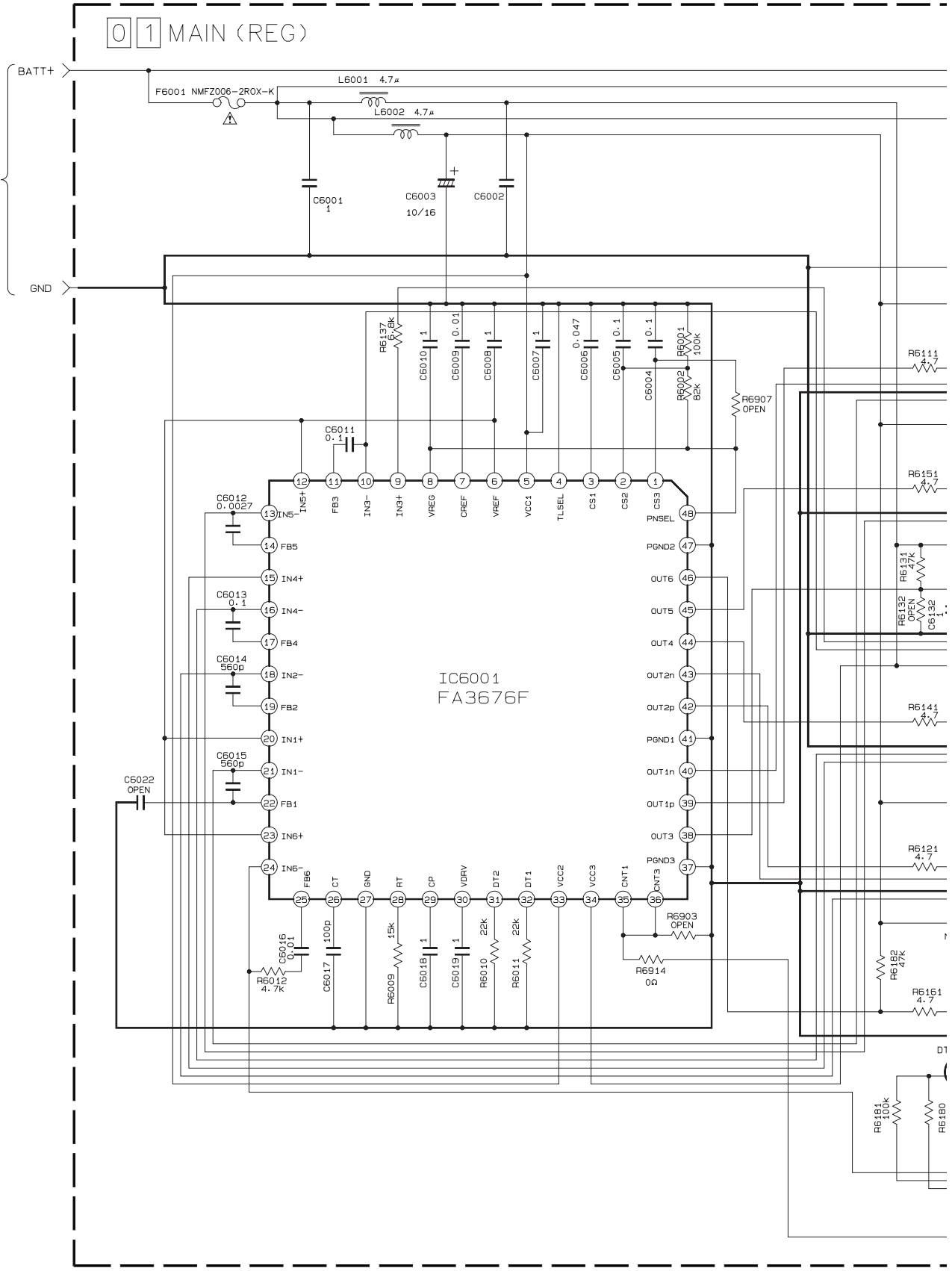


**Note: How to find the page showing the continuative schematic diagram**  
**Example) TO REG (Page 4-22): Refer to the GR-AXM220U service manual (No. 86526)**  
**TO REG (Page 4-9): Refer to this service manual**



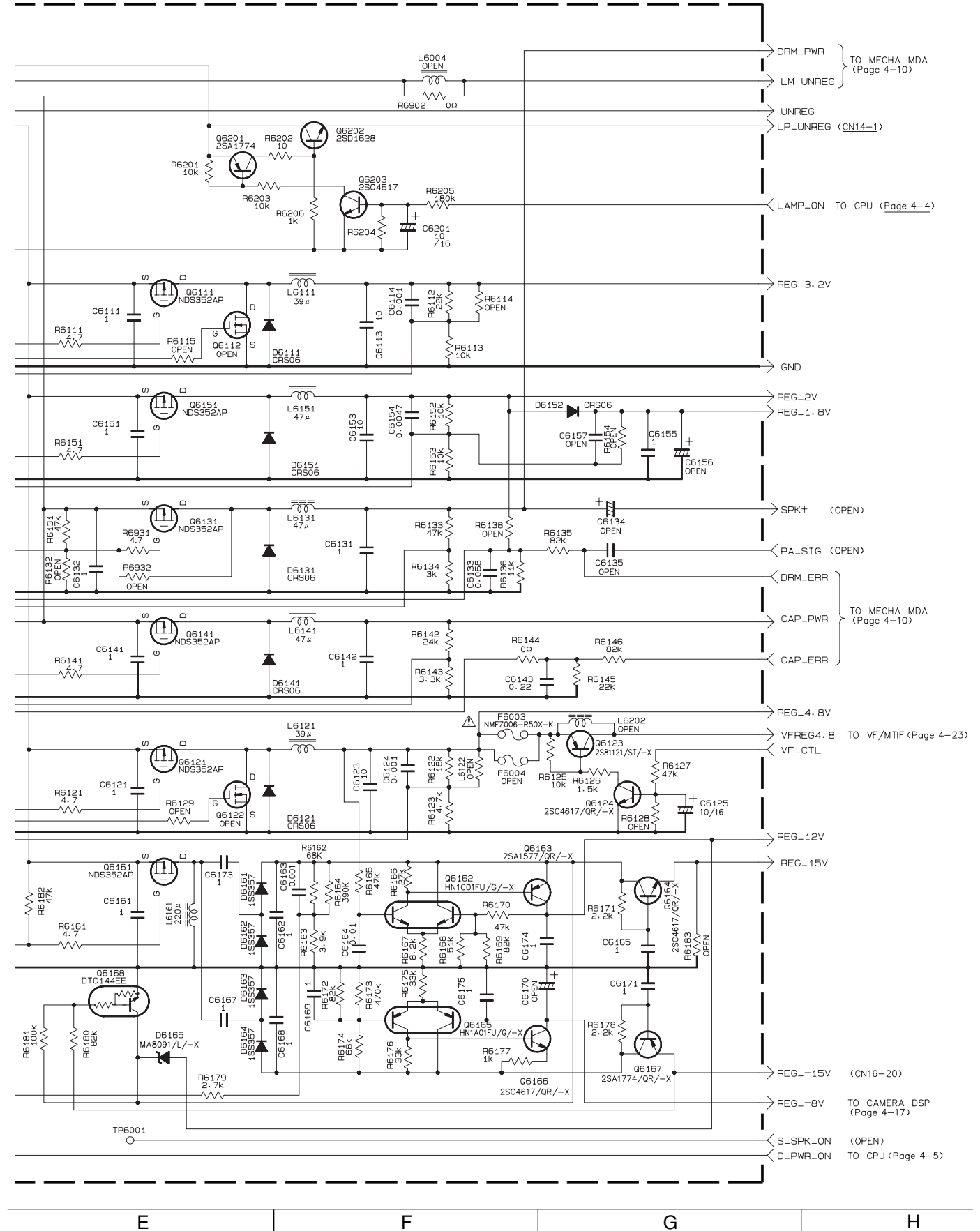
# 4.4 REGULATOR SCHEMATIC DIAGRAM

5  
4  
3  
2  
1



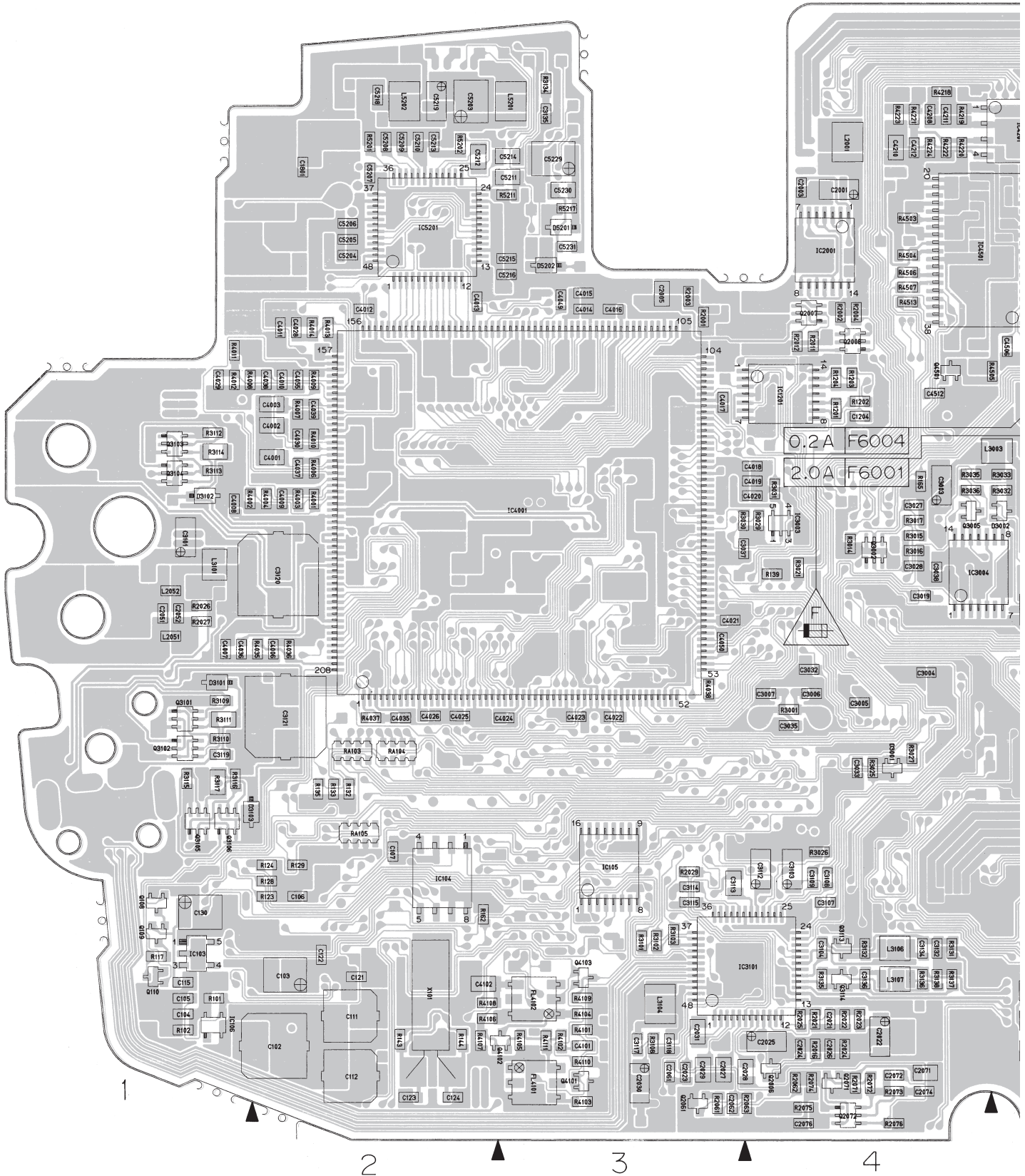
A B C D

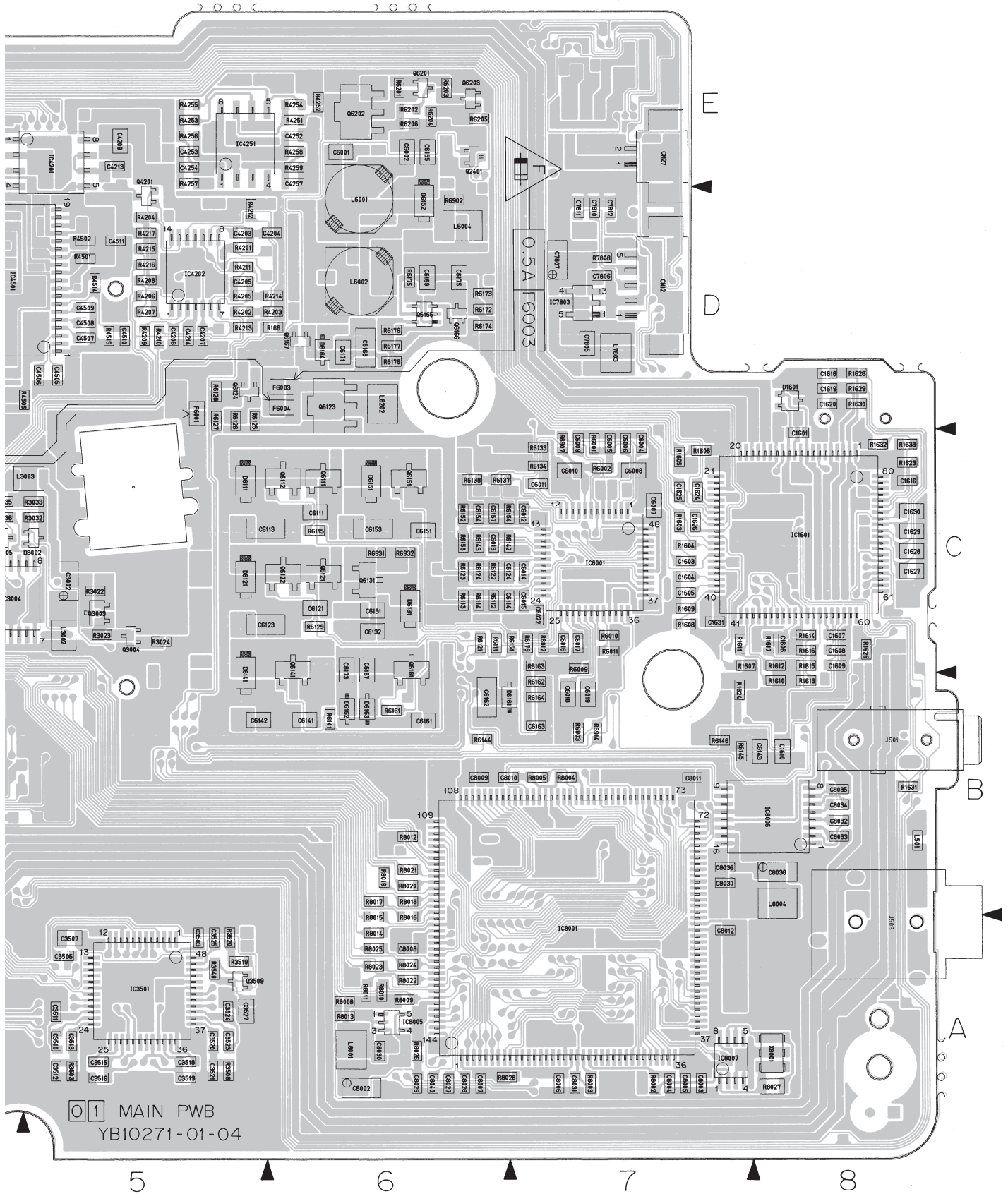
**Note: How to find the page showing the continuative schematic diagram**  
**Example) TO REG (Page 4-22): Refer to the GR-AXM220U service manual (No. 86526)**  
**TO REG (Page 4-9): Refer to this service manual**



# 4.5 MAIN CIRCUIT BOARD

FOIL SIDE (B)





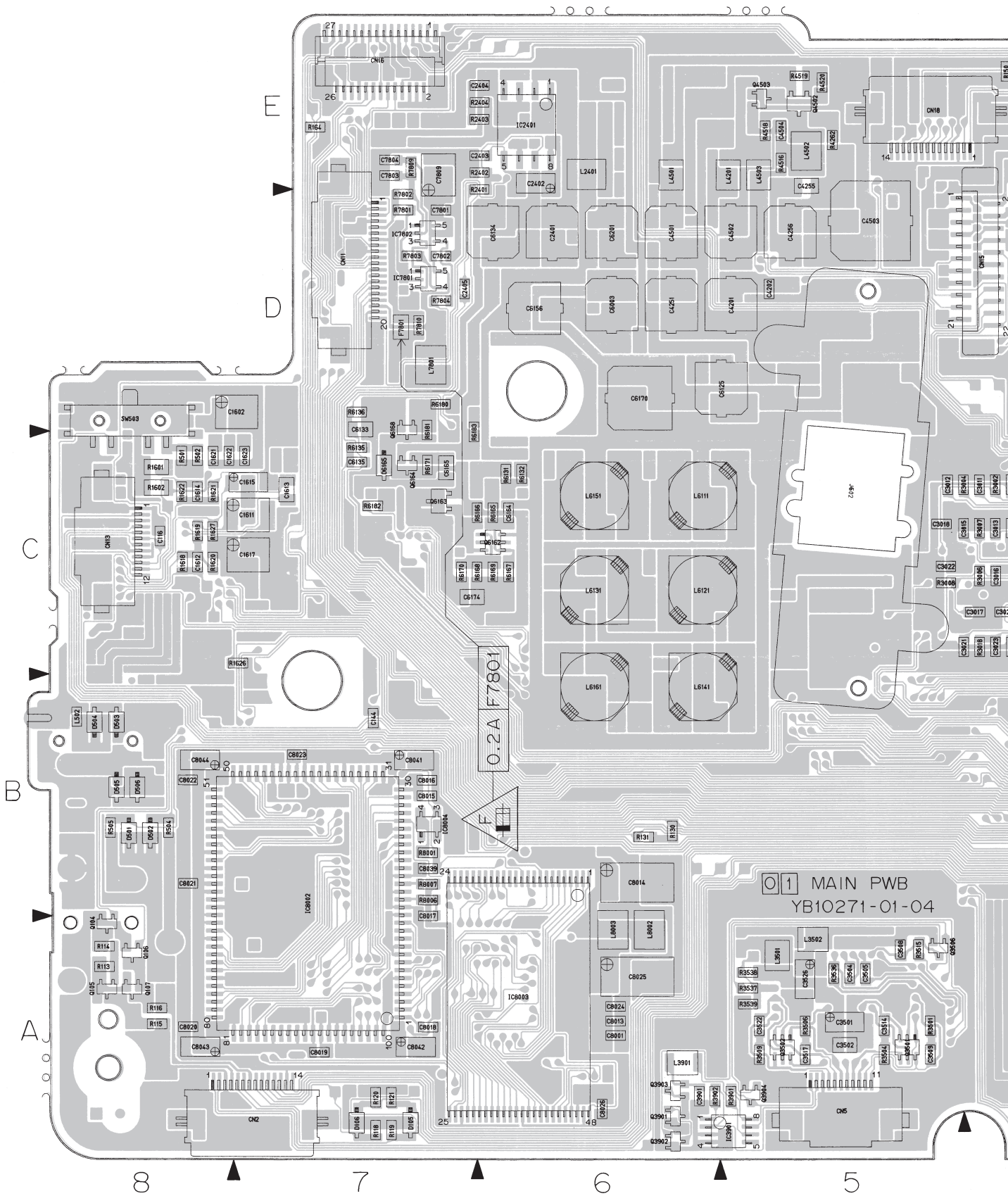
1 MAIN PWB  
 YB10271-01-04



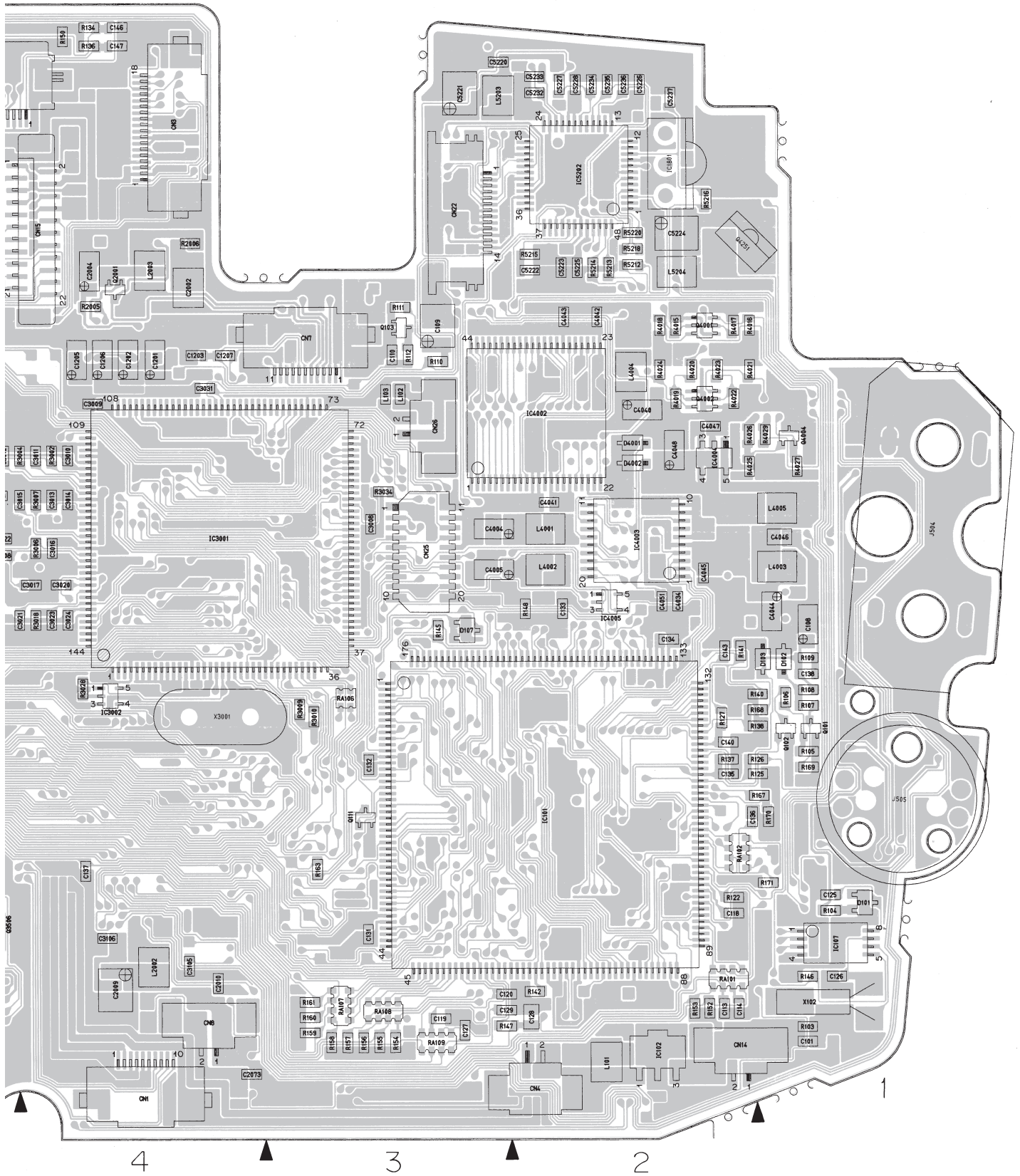


REF.No.	LOCATION	REF.No.	LOCATION	REF.No.	LOCATION	REF.No.	LOCATION	REF.No.	LOCATION	REF.No.	LOCATION
Q3101	B C 1B	R138	A C 1B	R2025	B C 4A	R4004	B C 2C	R4519	A C 5E	R7801	A C 7D
Q3102	B C 1B	R139	A C 4C	R2026	B C 1C	R4006	B C 2C	R4520	A C 5E	R7802	A C 7D
Q3103	B C 1C	R140	A C 1B	R2027	B C 1C	R4007	B C 2C	R5201	B C 2E	R7803	A C 7D
Q3104	B C 1C	R141	A C 2B	R2029	B C 3B	R4008	B C 1D	R5202	B C 2E	R7804	A C 7D
Q3105	B C 1B	R142	A C 2A	R2061	B C 3A	R4009	B C 2D	R5211	B C 3D	R7808	B C 7D
Q3106	B C 1B	R143	A C 2A	R2062	B C 4A	R4010	B C 2C	R5212	A C 2D	R7809	A C 7E
Q3113	B C 4A	R144	B C 2A	R2063	B C 4A	R4011	B C 1D	R5213	A C 2D	R7810	A C 7D
Q3114	B C 4A	R145	A C 3C	R2071	B C 4A	R4012	B C 1D	R5214	A C 2D	R8001	A C 7B
Q3501	A C 5A	R146	A C 1A	R2072	B C 4A	R4013	B C 2D	R5215	A C 2D	R8002	B C 7A
Q3502	A C 5A	R147	A C 3A	R2073	B C 4A	R4014	B C 2D	R5216	A C 2D	R8003	B C 7A
Q3506	A C 5A	R148	A C 2C	R2074	B C 4A	R4015	A C 2D	R5217	B C 3D	R8004	B C 7B
Q3509	B C 5A	R150	A C 4E	R2075	B C 4A	R4016	A C 2D	R5218	A C 2D	R8005	B C 7B
Q3901	A C 6A	R152	A C 2A	R2076	B C 4A	R4017	A C 2D	R5220	A C 2D	R8006	A C 7B
Q3902	A C 6A	R153	A C 2A	R2401	A C 7E	R4018	A C 2D	R6001	B C 7C	R8007	A C 7B
Q3903	A C 6A	R154	A C 3A	R2402	A C 7E	R4019	A C 2D	R6002	B C 7C	R8008	B C 6A
Q3904	A C 5A	R155	A C 3A	R2403	A C 7E	R4020	A C 2D	R6009	B C 7C	R8009	B C 6A
Q4001	A C 2D	R156	A C 3A	R2404	A C 7E	R4021	A C 2D	R6010	B C 7C	R8010	B C 6A
Q4002	A C 2D	R157	A C 3A	R3001	B C 4B	R4022	A C 2D	R6011	B C 7C	R8011	B C 6A
Q4004	A C 1C	R158	A C 3A	R3002	A C 4C	R4023	A C 2D	R6012	B C 7C	R8012	B C 6B
Q4101	B C 3A	R159	A C 3A	R3004	A C 5C	R4024	A C 2D	R6111	B C 6C	R8013	B C 6A
Q4102	B C 3A	R160	A C 3A	R3006	A C 4C	R4025	A C 2C	R6112	B C 6C	R8014	B C 6A
Q4103	B C 3A	R161	A C 3A	R3007	A C 4C	R4026	A C 2C	R6113	B C 6C	R8015	B C 6B
Q4201	B C 5D	R162	B C 2A	R3008	A C 5C	R4027	A C 1C	R6114	B C 6C	R8016	B C 6B
Q4251	A D 2D	R163	A C 3B	R3009	A C 3B	R4029	A C 1C	R6115	B C 6C	R8017	B C 6B
Q4501	B C 4D	R164	A C 7E	R3010	A C 3B	R4035	B C 2B	R6121	B C 6C	R8018	B C 6B
Q4502	A C 5E	R165	B C 4C	R3014	B C 4C	R4036	B C 2B	R6122	B C 6C	R8019	B C 6B
Q4503	A C 5E	R166	B C 6D	R3015	B C 4C	R4037	B C 2B	R6123	B C 6C	R8020	B C 6B
Q6111	B C 6C	R167	A C 1B	R3016	B C 4C	R4038	B C 3B	R6124	B C 6C	R8021	B C 6B
Q6112	B C 6C	R168	A C 1B	R3017	B C 4C	R4101	B C 3A	R6125	B C 5D	R8022	B C 6A
Q6121	B C 6C	R169	A C 1B	R3018	A C 4C	R4102	B C 3A	R6126	B C 5D	R8023	B C 6A
Q6122	B C 6C	R170	A C 1B	R3021	B C 4C	R4103	B C 3A	R6127	B C 5D	R8024	B C 6A
Q6123	B C 6D	R171	A C 1B	R3022	B C 5C	R4104	B C 3A	R6128	B C 5D	R8025	B C 6A
Q6124	B C 5D	R501	A C 8C	R3023	B C 5C	R4105	B C 3A	R6129	B C 6C	R8026	B C 6A
Q6131	B C 6C	R502	A C 8C	R3024	B C 5C	R4106	B C 2A	R6131	A C 6C	R8027	B C 8A
Q6141	B C 6C	R504	A C 8B	R3025	B C 4B	R4107	B C 2A	R6132	A C 6C	R8028	B C 6A
Q6151	B C 6C	R505	A C 8B	R3026	B C 4B	R4108	B C 2A	R6133	B C 7C	RA101	A C 2A
Q6161	B C 6C	R1201	B C 4C	R3027	B C 4B	R4109	B C 3A	R6134	B C 7C	RA102	A C 2B
Q6162	A C 6C	R1202	B C 4D	R3028	A C 4B	R4110	B C 3A	R6135	A C 7C	RA103	B C 2B
Q6163	A C 7C	R1203	B C 4D	R3029	B C 4C	R4111	B C 3A	R6136	A C 7D	RA104	B C 2B
Q6164	A C 7C	R1204	B C 4D	R3030	B C 3C	R4201	B C 5D	R6137	B C 6C	RA105	B C 2B
Q6165	B C 6D	R1601	A C 8C	R3031	B C 4C	R4202	B C 5D	R6138	B C 6C	RA106	A C 3B
Q6166	B C 6D	R1602	A C 8C	R3032	B C 5C	R4203	B C 6D	R6141	B C 6B	RA107	A C 3A
Q6167	B C 6D	R1603	B C 7C	R3033	B C 5C	R4204	B C 5D	R6142	B C 7C	RA108	A C 3A
Q6168	A C 7D	R1604	B C 7C	R3034	A C 3C	R4205	B C 5D	R6143	B C 6C	RA109	A C 3A
Q6201	B C 6E	R1605	B C 7C	R3035	B C 4C	R4206	B C 5D	R6144	B C 6B		
Q6202	B C 6E	R1606	B C 7C	R3036	B C 4C	R4207	B C 5D	R6145	B C 7B		
Q6203	B C 6E	R1607	B C 7C	R3101	B C 3A	R4208	B C 5D	R6146	B C 7B	<b>TEST POINT</b>	
		R1608	B C 7C	R3102	B C 3A	R4209	B C 5D	R6151	B C 7C	TP101	A C 2C
		R1609	B C 7C	R3103	B C 3A	R4210	B C 5D	R6152	B C 6C	TP102	B C 2B
				R3108	B C 3A	R4211	B C 5D	R6153	B C 6C	TP103	A C 2A
				R3109	B C 1B	R4212	B C 5D	R6154	B C 7C		
				R3110	B C 1B	R4213	B C 5D	R6161	B C 6B	<b>OTHER</b>	
				R3111	B C 1B	R4214	B C 6D	R6162	B C 7B	F6001	B C 5D
				R3112	B C 1C	R4215	B C 5D	R6163	B C 7C	F6003	B C 6D
				R3113	B C 1C	R4216	B C 5D	R6164	B C 7B	F6004	B C 6D
				R3114	B C 1C	R4217	B C 5D	R6165	A C 6C	F7801	A C 7D
				R3115	B C 1B	R4218	B C 4E	R6166	A C 6C	FL4101	B C 3A
				R3116	B C 1B	R4219	B C 4E	R6167	A C 6C	FL4102	B C 3A
				R3117	B C 1B	R4220	B C 4E	R6168	A C 6C	J501	B D 8B
				R3131	B C 4A	R4221	B C 4E	R6169	A C 6C	J502	A D 5C
				R3132	B C 4A	R4222	B C 4E	R6170	A C 7C	J503	B D 8A
				R3134	B C 3E	R4223	B C 4E	R6171	A C 7C	J504	A D 1C
				R3135	B C 4A	R4224	B C 4E	R6172	B C 6D	J505	A D 1B
				R3136	B C 4A	R4251	B C 6E	R6173	B C 6D	SW503	A C 8D
				R3137	B C 4A	R4252	B C 6E	R6174	B C 6D	X101	B C 2A
				R3138	B C 4A	R4253	B C 5E	R6175	B C 6D	X102	A C 1A
				R3501	A C 5A	R4254	B C 6E	R6176	B C 6D	X3001	A D 4B
				R3503	B C 5A	R4255	B C 5E	R6177	B C 6D	X8001	B C 8A
				R3504	A C 5A	R4256	B C 5E	R6178	B C 6D		
				R3506	A C 5A	R4257	B C 5E	R6179	B C 7C		
				R3508	B C 5A	R4258	B C 6E	R6180	A C 7D		
				R3509	A C 5A	R4259	B C 6E	R6181	A C 7D		
				R3515	A C 5A	R4262	A C 5E	R6182	A C 7C		
				R3519	B C 5A	R4501	B C 5D	R6183	A C 7D		
				R3520	B C 5A	R4502	B C 5D	R6201	B C 6E		
				R3536	A C 5A	R4503	B C 4D	R6202	B C 6E		
				R3537	A C 5A	R4504	B C 4D	R6203	B C 6E		
				R3538	A C 5A	R4505	B C 5D	R6204	B C 6E		
				R3539	A C 5A	R4506	B C 4D	R6205	B C 6E		
				R3540	B C 5A	R4507	B C 4D	R6206	B C 6E		
				R3901	A C 5A	R4513	B C 4D	R6902	B C 6D		
				R3902	A C 6A	R4514	B C 5D	R6903	B C 7B		
				R4001	B C 2C	R4515	B C 5D	R6907	B C 7C		
				R4002	B C 1C	R4516	A C 5E	R6914	B C 7B		
				R4003	B C 2C	R4518	A C 5E	R6931	B C 6C		
								R6932	B C 6C		

# COMPONENT SIDE (A)





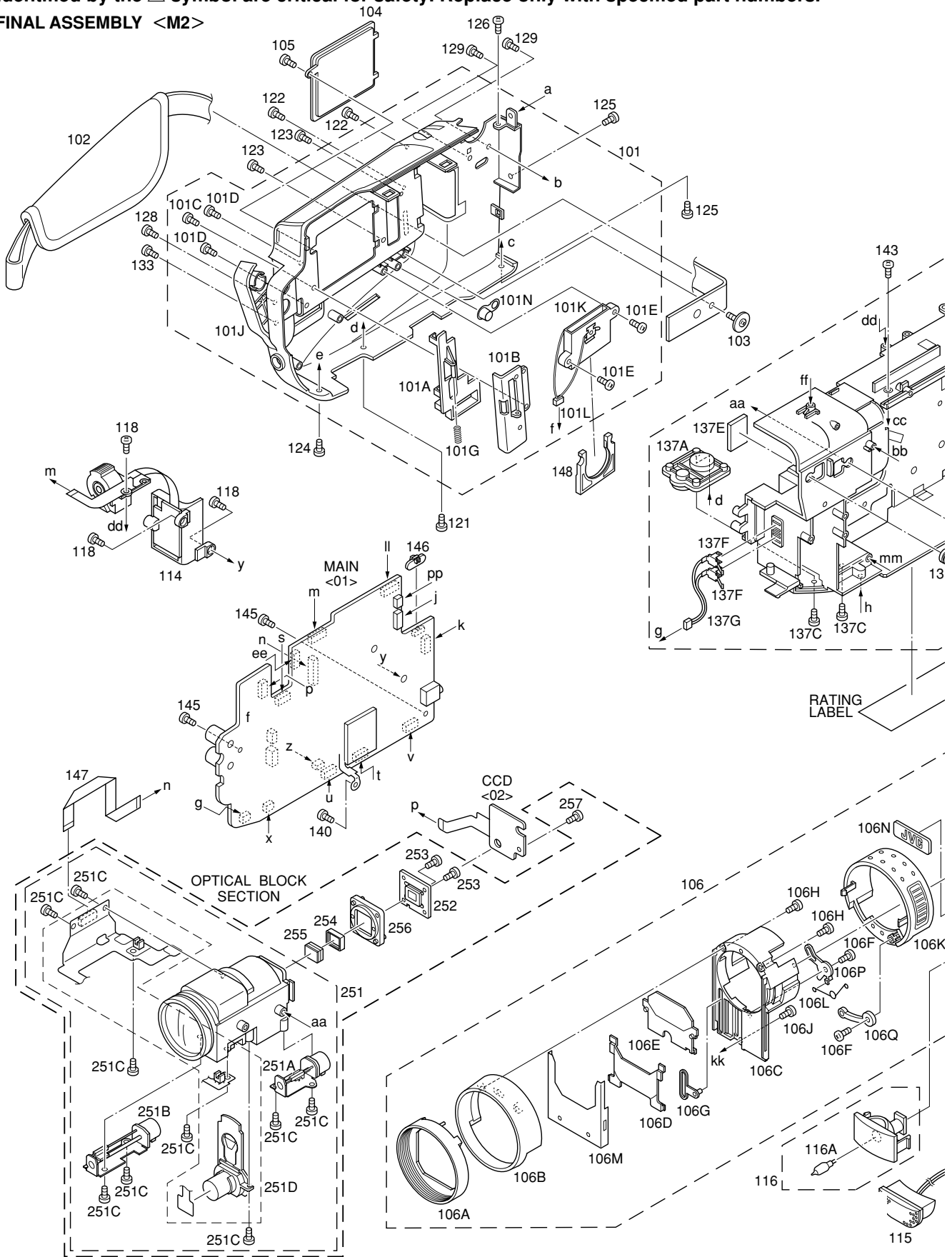


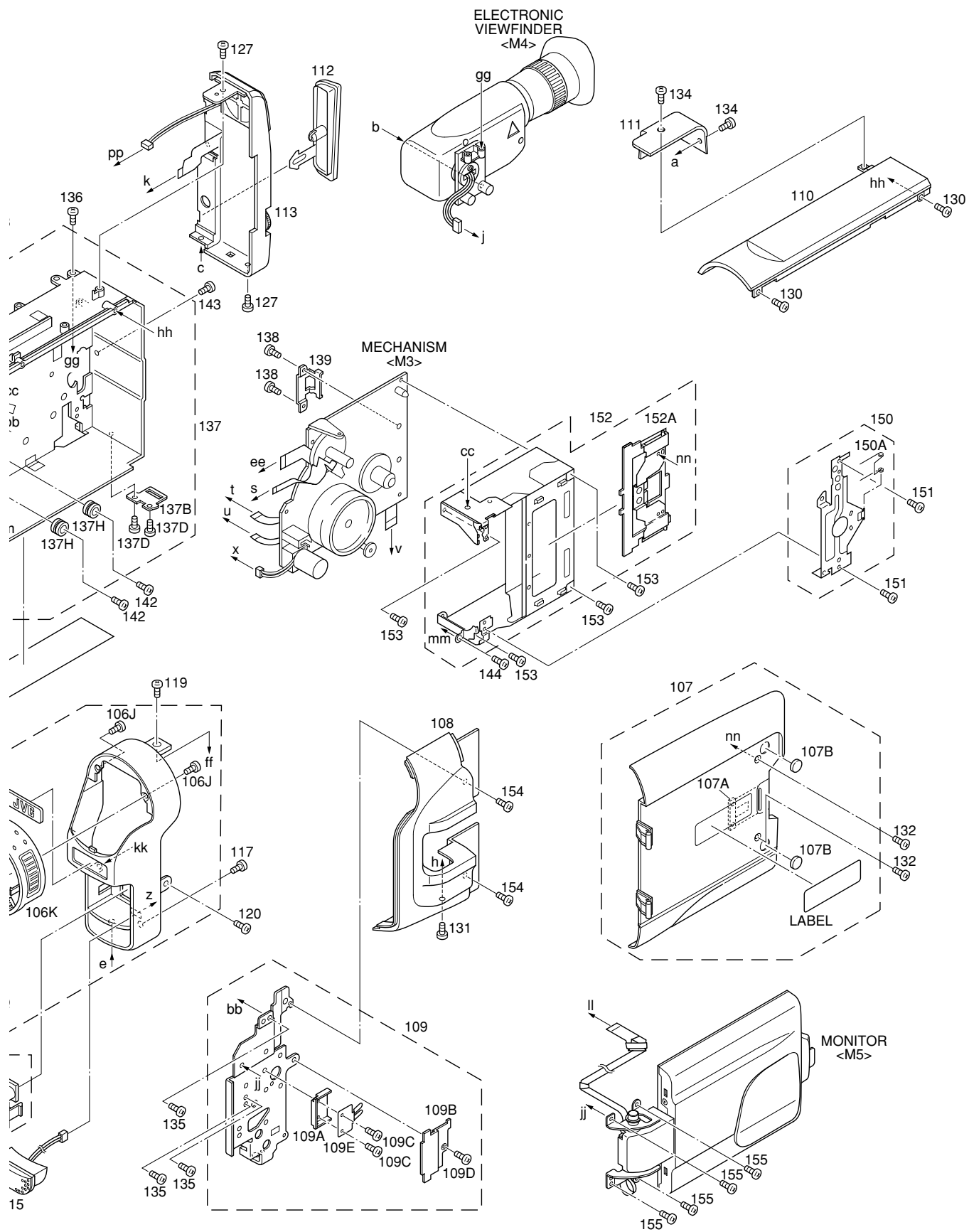
# SECTION 5 PARTS LIST

## SAFETY PRECAUTION

Parts identified by the  $\triangle$  symbol are critical for safety. Replace only with specified part numbers.

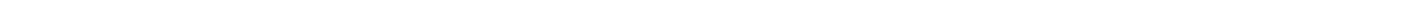
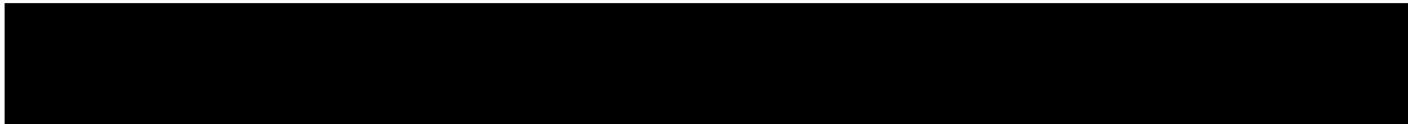
### 5.1 FINAL ASSEMBLY <M2>





#	△ REF No.	PART No.	PART NAME, DESCRIPTION
*****			
<b>FINAL ASSEMBLY &lt;M2&gt;</b>			
△	101	LY10122-047A	LOWER CASE ASSY
	101A	LY30885-001C	KNOB(B.RELEASE)
	101B	LY30886-001B	BKT(B.RELEASE)
	101C	QYSLSP2030D	SCREW
	101D	QYSLSP2050D	SCREW,X2
	101E	QYSLSF2055D	SPECIAL SCREW,X2
	101G	LY30002-026A	COMPRES. SPRING
	101J	LY30891-001B	CAP(RCA JACK)
	101K	LY30888-001B	HOLDER(LITHIUM)
	101L	WJM0119-001A	E-SI C WIRE C-F
	101N	LY40081-001A	CAP
	102	LY20014-001A	GRIP BELT
	103	LY30018-003A	SPECIAL SCREW
△	104	LY30887-001B	CAP(JIG)
	105	QYSLSP2030D	SCREW
	106	LY10124-050B	FRONT COVER ASSY
	106A	LY30893-001C	HOOD
	106B	LY31556-001A	COVER(HOOD)
	106C	LY20349-001C	GUIDE(SHUTTER)
	106D	LY30895-001B	SHUTTER(1)
	106E	LY30896-001A	SHUTTER(2)
	106F	YQ43762	SPECIAL SCREW,X2
	106G	LY41075-001A	SLIDER(SHUTTER)ASSY
	106H	QYSLSF2050Z	SCREW,X2
	106J	QYSLSF2060Z	SCREW,X3
	106K	LY20348-001A	DIAL(SHUTTER)
	106L	LY41081-001D	TORSION SPRING
	106M	LY41128-001B	HOLD(SHUTTER)
	106N	LY41381-001A	MARK
	106P	LY41077-001A	LEVER(1)
	106Q	LY41078-001A	LEVER(2)
	107	LY10131-023A	CASS.COVER(M)ASSY
	107A	LY30907-001A	BUTTON(PUSH)
	107B	LY40076-002A	SPACER,X2
	108	LY10133-002C	UPPER CASE(M)
	109	LY30908-001D	BKT(UPPER)ASSY
	109A	LY30909-001A	BKT(STOPPER)
	109B	LY30910-001C	COVER(STOPPER)
	109C	QYSLSP2030D	SCREW,X2
	109D	QYSLSP2025D	SCREW
	109E	LY41384-001A	EARTH PLATE(B)
	110	LY10129-093A	TOP COVER
	111	LY20328-001E	COVER(VF)
	112	LY30892-001B	CAP(REAR JACK)
	113	LY10120-032B	OPERATION UNIT
	114	LY10121-001D	ZOOM UNIT
	115	LY30861-010A	MICROPHONE
	116	LY30860-001B	DC LIGHT ASSY
	116A	YQ44266	LAMP
	117	QYSLSF2055D	SPECIAL SCREW
	118	QYSLSF2055D	SPECIAL SCREW,X3
	119	YQ43762-5	SPECIAL SCREW
	120	QYSLSF2055D	SPECIAL SCREW
	121	QYSLSF2055D	SPECIAL SCREW
	122	QYSLSF2055D	SPECIAL SCREW,X2
	123	QYSLSF2055D	SPECIAL SCREW,X2
	124	QYSLSF2090D	SCREW
	125	QYSLSF2055D	SPECIAL SCREW,X2

#	△ REF No.	PART No.	PART NAME, DESCRIPTION
	126	QYSLSF2055D	SPECIAL SCREW
	127	QYSLSF2055D	SPECIAL SCREW,X2
	128	QYSLSF2090D	SCREW
	129	QYSLSF2055D	SPECIAL SCREW,X2
	130	QYSLSF2055D	SPECIAL SCREW,X2
	131	QYSLSF2055D	SPECIAL SCREW
	132	QYSLSP2030D	SCREW,X2
	133	QYSLSF2090D	SCREW
	134	QYSLSF2055D	SPECIAL SCREW,X2
	135	QYSLSF2055D	SPECIAL SCREW,X3
	136	QYSLSF2055D	SPECIAL SCREW
△	137	LY20372-004A	FRAME ASSY
	137A	LY30903-001A	BASE
	137B	LY41090-001B	HOOK
	137C	QYSLSF2060D	SCREW,X2
	137D	QYSLSF2060Z	SCREW,X2
	137E	LY30016-0H2A	SPACER-A
	137F	YQ43810	CONTACT (LIGHT),X2
	137G	WJM0118-001A	E-SI C WIRE C-F
	137H	LY41082-001A	CUSHION(OP),X2
	138	YQ44457-3	SCREW,X2
	139	LY30904-001A	BKT(MECHA)
	140	QYSPSTU1725M	SCREW
	142	LY30018-050A	SPECIAL SCREW,X2
	143	LY41173-001A	SPECIAL SCREW,X2
	144	QYSLSF1750D	SCREW
	145	QYSLSF2055D	SPECIAL SCREW,X2
	146	LY41083-001B	KNOB (LIGHT)
	147	WJT0024-001A	E-CARD WIRE,OP-MAIN CN15
	148	LY30889-001B	CAP(LITHIUM)
	150	LY30514-001F	FRONT FRAME ASSY
	150A	YQ44144-1-1	TAPE GUIDE
	151	SPSH1725M	SCREW,X2
	152	YQ31752H-31	CASSETTE HOUSING ASSY
	152A	LY30175-001C	C.COV.INS.ASSY
	153	YQ44457-3	SCREW,X4
	154	QYSLSP2025D	SCREW,X2
	155	QYSLSP2030D	SCREW,X4
<b>- OPTICAL BLOCK SECTION -</b>			
	251	LY30948-003A	OP BLOCK ASSY
	251A	PTY30948-002	FOCUS MOTOR
	251B	PTY30948-301	ZOOM MOTOR
	251C	PTY30151-016	SCREW,X9
	251D	PTY30948-006	IRIS MOTOR UNIT,INCL.FPC
	252	LYH40047-001A	CCD BASE ASSY
	253	QYSPSGU2080Z	SCREW,X2
	254	LY31441-001A	SPACER RUBBER
	255	LY41755-001A	OPTICAL LFP
	256	LY20346-001A	CCD SPACER
	257	LY30018-072A	SPECIAL SCREW



**JVC**

VICTOR COMPANY OF JAPAN, LIMITED  
VIDEO DIVISION

S40894